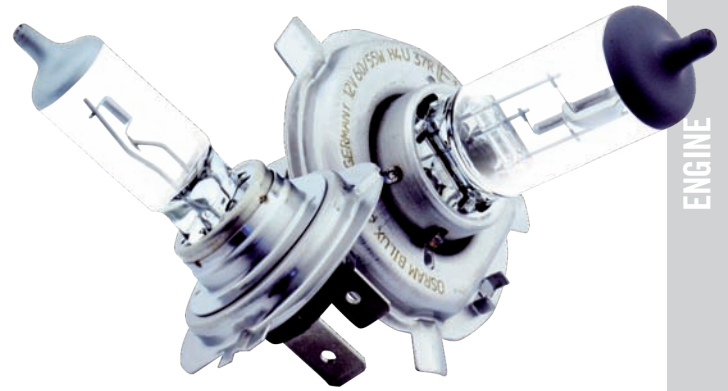


## VLAMP STANDARD/LED LINE Top quality at the best price

V Lamps offer a wide range of traditional bulb models: Halogen and Led. They perform quality standard requirements demanded today. V Lamps manufacture their models with the best quality-price balance resulting in an impressive lighting and convincing solution. Enhanced reliability and durability to fulfill customer's high requirements.



ENGINE

## MOST WIDELY USED LAMPS

### FRONT INDICATORS



- R5W ■ ■
- R10W ■ ■
- P21W ■
- PY21W ■
- WY5W ■
- H6W ■

### SIDE LIGHT, LOW BEAM AND HI BEAM



- H4 ■
- H7 ■
- H1 ■
- HB3 ■
- HS1 ■
- S1, S2, S3 ■
- H6W ■

### REAR INDICATORS



- R5W ■ ■
- R10W ■ ■
- P21W ■
- PY21W ■
- WY5W ■
- H6W ■

### INSTRUMENT PANEL / GLOVE COMPARTMENT

- B8,5d ■
- B8,4d ■

### LICENSE PLATE LIGHT



- W5W ■
- H6W ■
- R5W ■
- SV6 ■
- SV7 ■
- SV7-8 ■
- SV8,5-5 ■ ■

### Taillight



- P21W ■
- P21/5W ■
- R5W ■

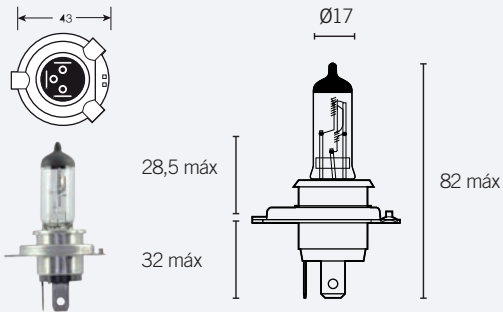
ELECTRICAL PART

CYCLE PART

EQUIPMENT

## HALOGEN LAMPS FOR HEADLIGHT

### ■ HALOGEN LAMP H4



12V | 60/55W | P43t

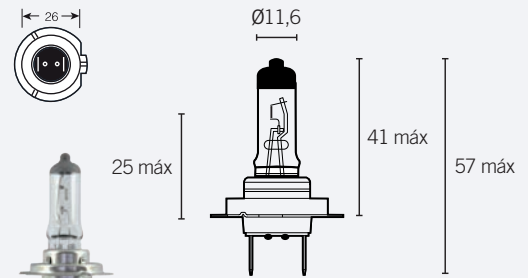
Ref. 14639

VLAMP

WHITE LIGHT



### ■ HALOGEN LAMP H7



12V | 55W | PX26d

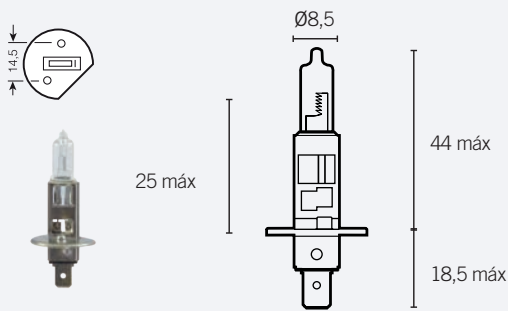
Ref. 14641

VLAMP

WHITE LIGHT



### ■ HALOGEN LAMP H1



12V | 55W | P14,5s

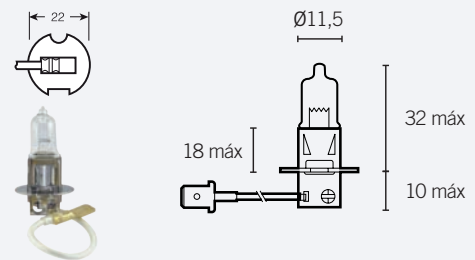
Ref. 14636

VLAMP

WHITE LIGHT



### ■ HALOGEN LAMP H3



12V | 55W | PK22s

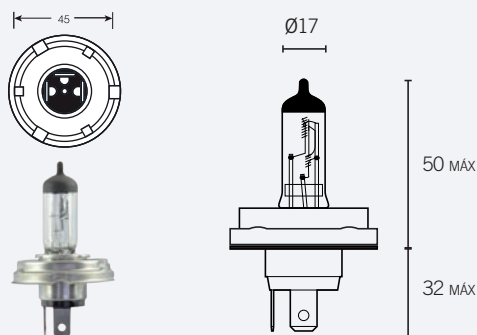
Ref. 14638

VLAMP

WHITE LIGHT



### ■ HALOGEN LAMP H5



12V | 60/55W | P45t

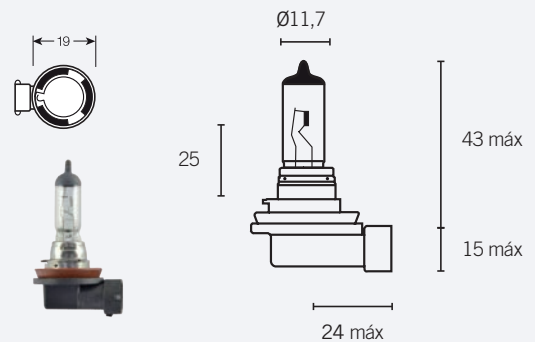
Ref. 14640

VLAMP

WHITE LIGHT



### ■ HALOGEN LAMP H8



12V | 35W | PGJ19-1

Ref. 14642

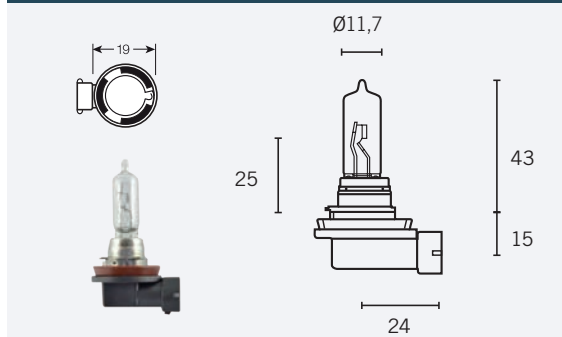
VLAMP

WHITE LIGHT



## HALOGEN LAMPS FOR HEADLIGHT

### ■ HALOGEN LAMP H9

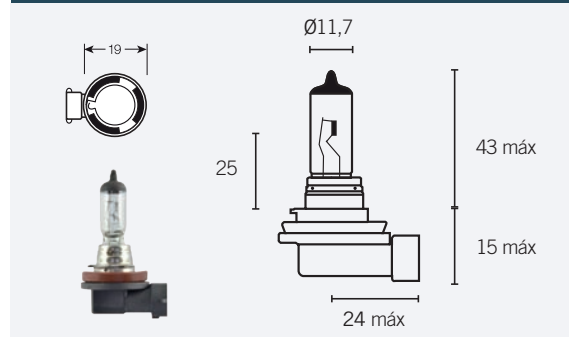


12V | 65W | PGJ19-5

Ref. 14643 VLAMP

WHITE LIGHT 

### ■ HALOGEN LAMP H11

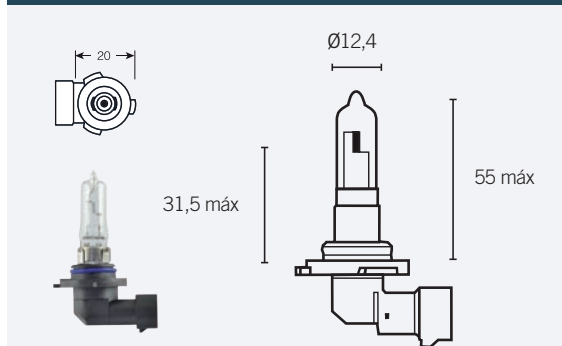


12V | 55W | PGJ19-2

Ref. 14637 VLAMP

WHITE LIGHT 

### ■ HALOGEN LAMP HB3

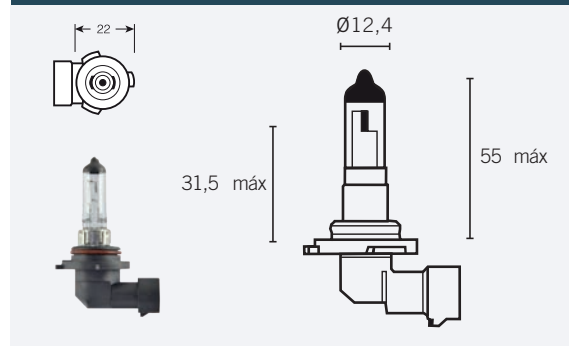


12V | 60W | P20d

Ref. 14644 VLAMP

WHITE LIGHT 

### ■ HALOGEN LAMP HB4

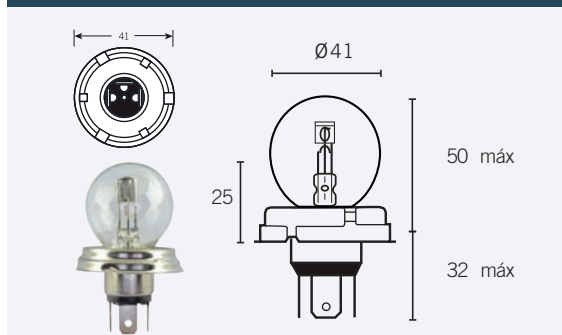


12V | 51W | P22d

Ref. 14645 VLAMP

WHITE LIGHT 

### ■ BILUX LAMP R2

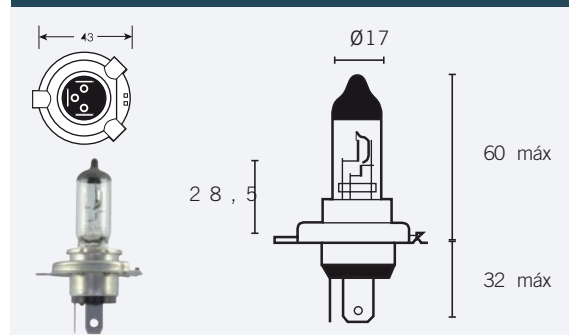


12V | 45/40W | P45t

Ref. 14665 VLAMP

 WHITE LIGHT 

### ■ HALOGEN LAMP HS1



12V | 35/35W | PX43t

Ref. 14646 VLAMP

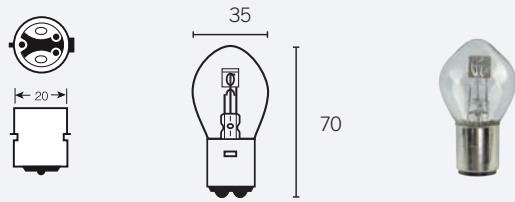
 WHITE LIGHT 

# LAMPS



## BILUX AND SEMI-HALOGEN LAMPS FOR HEADLIGHT

### ■ BILUX LAMP S1



6V | 25/25W | BA20d

Ref. 14668 VLAMP

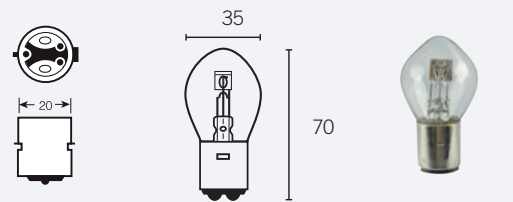
WHITE LIGHT

12V | 25/25W | BA20d

Ref. 14669 VLAMP

WHITE LIGHT

### ■ BILUX LAMP S2

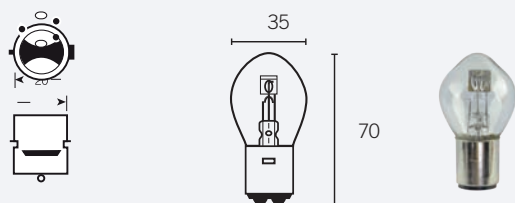


6V | 35/35W | BA20d

Ref. 14670 VLAMP

WHITE LIGHT

### ■ BILUX LAMP S2

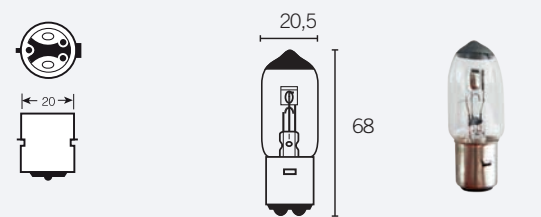


12V | 45/40W | BA20d

Ref. 14672 VLAMP

WHITE LIGHT

### ■ SEMI-HALOGEN LAMP

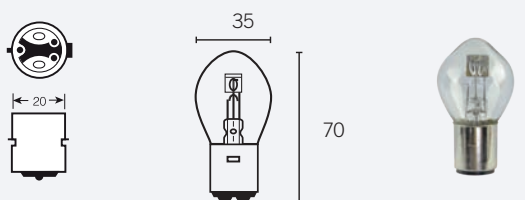


12V | 25/25W | BA20d

Ref. 15138 VLAMP

WHITE LIGHT

### ■ BILUX LAMP S2

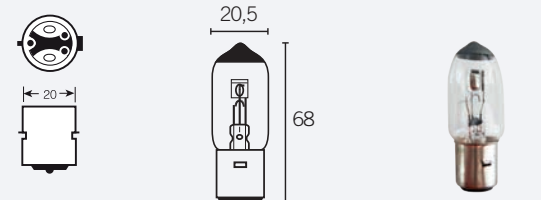


12V | 35/35W | BA20d

Ref. 14671 VLAMP

WHITE LIGHT

### ■ SEMI-HALOGEN LAMP



12V | 35/35W | BA20d

Ref. 15139 VLAMP

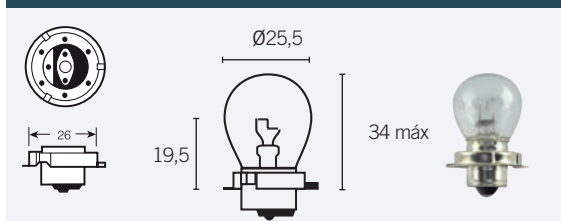
WHITE LIGHT

# LAMPS



## BILUX AND SEMI-HALOGEN LAMPS FOR HEADLIGHT

### ■ SIMPLE STRAND LAMP S3



6V | 15W | P26S

Ref. 14673 VLAMP

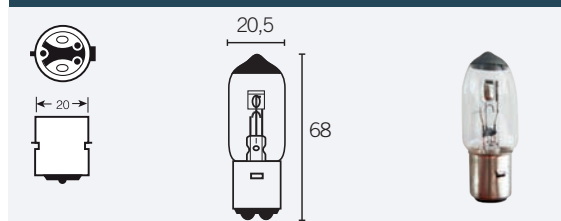
WHITE LIGHT

12V | 15W | P26S

Ref. 14674 VLAMP

WHITE LIGHT

### ■ LÁMPARA SEMI-HALÓGENA



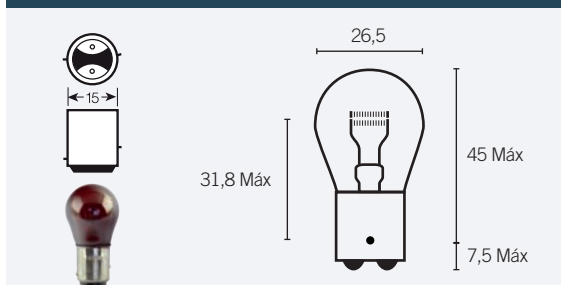
12V | 45/40W | BA20d

Ref. 15140 VLAMP

WHITE LIGHT

## DOUBLE STRAND LAMP FOR TAILLIGHT

### ■ TAILLIGHT LAMP P21/5W

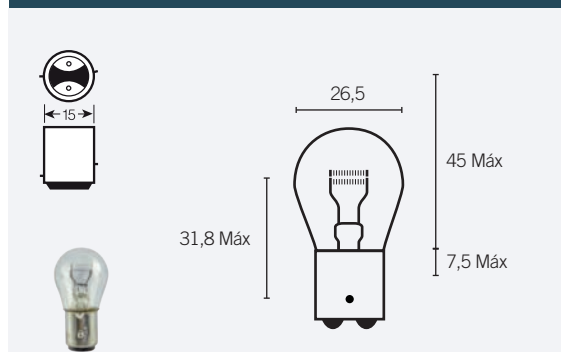


12V | 21/5W | BAY15d

Ref. 14662 VLAMP

RED LIGHT

### ■ TAILLIGHT LAMP P21/5W



6V | 21/5W | BAY15d

Ref. 14660 VLAMP

WHITE LIGHT

12V | 21/5W | BAY15d

Ref. 14661 VLAMP

WHITE LIGHT

ENGINE

ELECTRICAL PART

CYCLE PART

EQUIPMENT

## SIDE LIGHT, INDICATORS, BRAKE LIGHT AND AUXILIARY LIGHT

**■ VITRIFIED LAMP T5**

12V | 1,2W | W2x4,6d

Ref. **14685** VLAMP

WHITE LIGHT

**■ VITRIFIED LAMP T5**

12V | 2W | W2X4.6d

Ref. **14684** VLAMP

WHITE LIGHT

**■ VITRIFIED LAMP T13**

12V | 21W | W2,1x9,5d

Ref. **L833** VLAMP

WHITE LIGHT

Ref. **L836** VLAMP

AMBER LIGHT

Ref. **L912** VLAMP

BLUE LIGHT

**■ VITRIFIED LAMP W3W**

12V | 3W | W2,1X9,5d

Ref. **14687** VLAMP

WHITE LIGHT

**■ VITRIFIED LAMP WY5W**

12V | 5W | W2,1x9,5d

Ref. **14688** VLAMP

AMBER LIGHT

**■ VITRIFIED LAMP W5W**

12V | 5W | W2,1X9,5d

Ref. **14676** VLAMP

WHITE LIGHT

## SIDE LIGHT, INDICATORS, BRAKE LIGHT AND AUXILIARY LIGHT

**VITRIFIED LAMP** **W21W**

12V | 21W | W3x16d

Ref. **14686** **VLAMP**

WHITE LIGHT

**VITRIFIED LAMP** **W21/5W**

12V | 21/5W | W3x16d

Ref. **14680** **VLAMP**

WHITE LIGHT

**INDICATORS, SIDE LIGHT & AUX..** -

6V | 4W | BA9s

Ref. **14682** **VLAMP**

WHITE LIGHT

**INDICATORS, SIDE LIGHT & AUX..** -

12V | 4W | BA9s

Ref. **14683** **VLAMP**

WHITE LIGHT

**INDICATORS, SIDE LIGHT & AUX..** **R5W**

12V | 5W | BA15s

Ref. **14667** **VLAMP**

WHITE LIGHT

**INDICATORS, SIDE LIGHT & AUX..** -

12V | 10W | BA9s

Ref. **L898** **VLAMP**

WHITE LIGHT

Ref. **L897** **VLAMP**

AMBER LIGHT

## SIDE LIGHT, INDICATORS, BRAKE LIGHT AND AUXILIARY LIGHT

**INDICATORS, SIDE LIGHT & AUX. R10W**

6V | 10W | BA15s

Ref. **14664** VLAMP

WHITE LIGHT

**INDICATORS, SIDE LIGHT & AUX. R10W**

12V | 10W | BA15s

Ref. **L741** VLAMP

WHITE LIGHT

**INDICATORS, SIDE LIGHT & AUX. -**

12V | 23W | BA15s

Ref. **L781** VLAMP

WHITE LIGHT

Ref. **L863** VLAMP

AMBER LIGHT

Ref. **L894** VLAMP

AMBER LIGHT

Ref. **L862** VLAMP

WHITE LIGHT

Ref. **L891** VLAMP

AMBER LIGHT

**INDICATORS, SIDE LIGHT & AUX. S3**

6V | 15W | P26S

Ref. **14675** VLAMP

AMBER LIGHT

**INDICATORS, SIDE LIGHT & AUX. PY21W**

12V | 21W | BAU15s

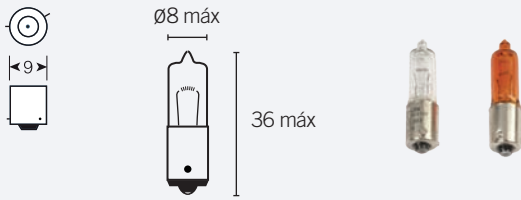
Ref. **14663** VLAMP

AMBER LIGHT



## SIDE LIGHT, INDICATORS, BRAKE LIGHT AND AUXILIARY LIGHT

### INDICATORS, SIDE LIGHT & AUX. H6W



12V | 6W | BAX9s

Ref. **L895** VLAMP

WHITE LIGHT

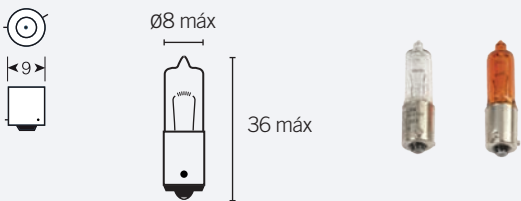


Ref. **L896** VLAMP

AMBER LIGHT



### INDICATORS, SIDE LIGHT & AUX. H21W



12V | 21W | BAX9s

Ref. **L778** VLAMP

WHITE LIGHT

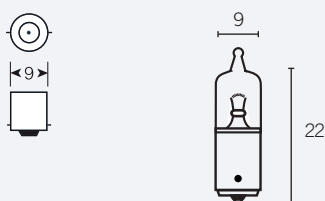


Ref. **L779** VLAMP

AMBER LIGHT



### INDICATORS, SIDE LIGHT & AUX. -



12V | 23W | BA9s

Ref. **14689** VLAMP

WHITE LIGHT

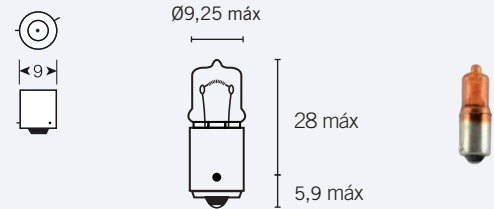


Ref. **14690** VLAMP

AMBER LIGHT



### INDICATORS, SIDE LIGHT & AUX. H6W



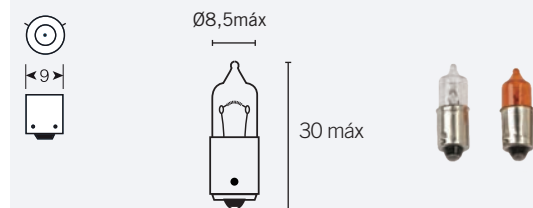
12V | 6W | BAX9s

Ref. **14691** VLAMP

AMBER LIGHT



### INDICATORS, SIDE LIGHT & AUX. -



12V | 23W | BAY9s

Ref. **L782** VLAMP

WHITE LIGHT

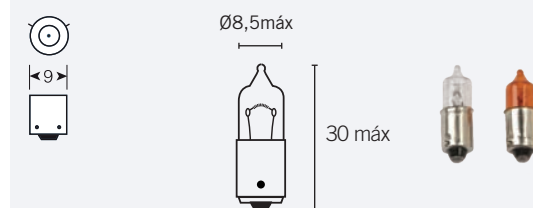


Ref. **L780** VLAMP

AMBER LIGHT



### INDICATORS, SIDE LIGHT & AUX. -



12V | 10W | BAY9s

Ref. **L740** VLAMP

WHITE LIGHT



Ref. **L829** VLAMP

AMBER LIGHT



## PLAFONNIER LAMP

**PLAFONNIER 6X31**

6V | 5W | SV6

Ref. **14628** VLAMP

WHITE LIGHT

**PLAFONNIER 6X31**

12V | 3W | SV6

Ref. **14629** VLAMP

WHITE LIGHT

**PLAFONNIER 6X36**

6V | 5W | SV6

Ref. **14631** VLAMP

WHITE LIGHT

12V | 5W | SV6

Ref. **14632** VLAMP

WHITE LIGHT

**PLAFONNIER 8X28**

12V | 3W | SV7

Ref. **14633** VLAMP

WHITE LIGHT

**PLAFONNIER 8X31**

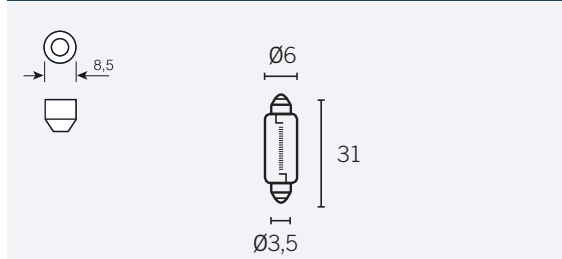
6V | 3W | SV7-8

Ref. **14634** VLAMP

WHITE LIGHT

## PLAFONNIER LAMP

### ■ PLAFONNIER 6X31

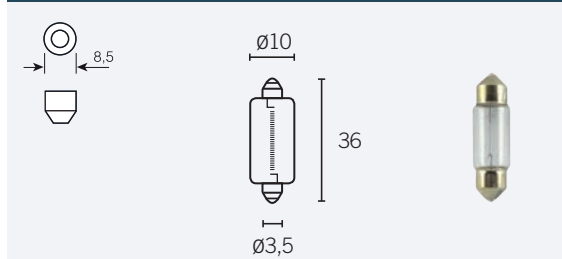


12V | 5W | SV8,5-8

Ref. 14630 VLAMP

WHITE LIGHT

### ■ PLAFONNIER 10X36

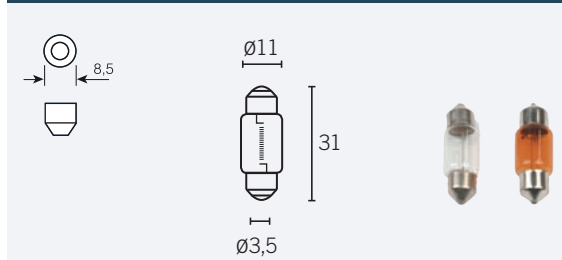


12V | 10W | SV8,5-8

Ref. 14622 VLAMP

WHITE LIGHT

### ■ PLAFONNIER 11x31



12V | 5W | SV8,5-8

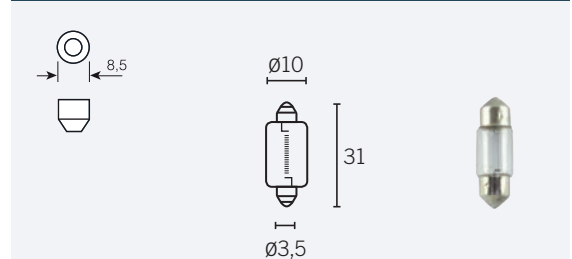
Ref. L768 VLAMP

WHITE LIGHT

Ref. L769 VLAMP

AMBER LIGHT

### ■ PLAFONNIER 10x31

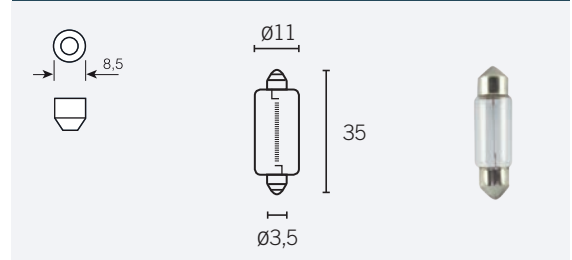


12V | 5W | SV8,5-8

Ref. 14621 VLAMP

WHITE LIGHT

### ■ PLAFONNIER C5W



12V | 5W | SV8,5-8

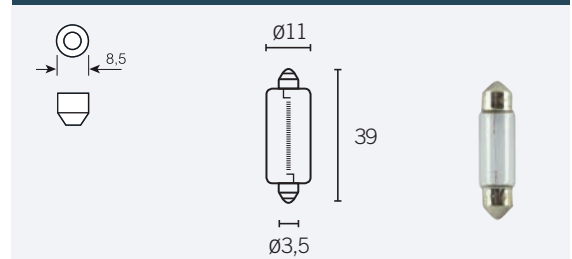
Ref. 14635 VLAMP

WHITE LIGHT

Ref. 15021 6418 OSRAM

WHITE LIGHT

### ■ PLAFONNIER 11x39



6V | 5W | SV8,5-8

Ref. 14623 VLAMP

WHITE LIGHT

ENGINE

ELECTRICAL PART

CYCLE PART

EQUIPMENT

## PLAFONNIER LAMPS

■ PLAFONNIER 15X44

12V | 15W | SV8,5-8

Ref. 14624 VLAMP

WHITE LIGHT

■ PLAFONNIER 15X44

12V | 18W | SV8,5-8

Ref. 14625 VLAMP

WHITE LIGHT

## LAMPS LED

■ LED LAMPS 9 LED

12V | T15

Ref. 14651 VLAMP

AMBER LIGHT

Ref. 14652 VLAMP

WHITE LIGHT

■ LED LAMPS 1 LED

12V | T10

Ref. 14649 VLAMP

AMBER LIGHT

Ref. 14650 VLAMP

WHITE LIGHT

■ LED LAMPS 4 LED

12V | SV8.5\*30

Ref. 14655 VLAMP

WHITE LIGHT

■ LED LAMPS 1 LED

12V | B8.4D

Ref. 14659 VLAMP

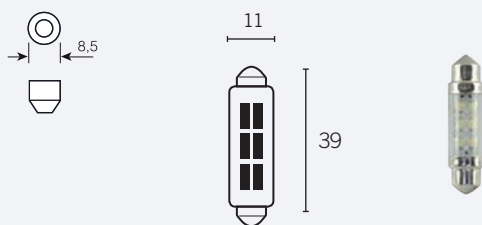
WHITE LIGHT

# LAMPS



## LED LAMPS

### LED LAMPS 6 LED



12V | SV8.5\*39

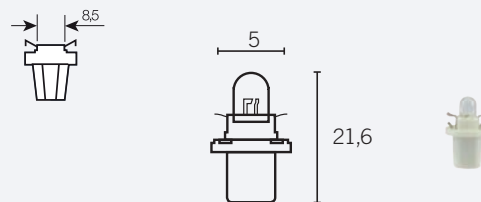
Ref. 14656

VLAMP

WHITE LIGHT



### LED LAMPS 1 LED



12V | B8.5D

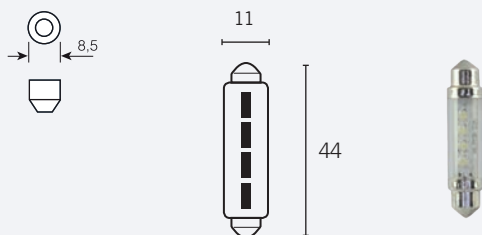
Ref. 14658

VLAMP

WHITE LIGHT



### LED LAMPS 4 LED



12V | SV8.5\*44

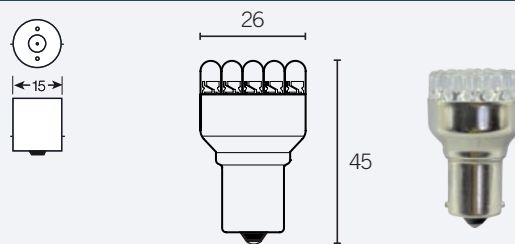
Ref. 14657

VLAMP

WHITE LIGHT



### LED LAMPS 19 LED



12V | BA15S

Ref. 14647

VLAMP

WHITE LIGHT



ENGINE

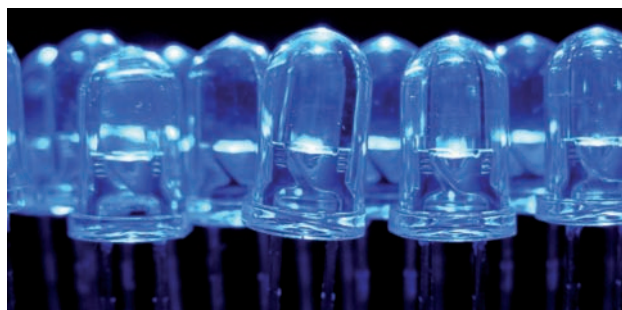
ELECTRICAL PART

CYCLE PART

EQUIPMENT

## TABLE OF EQUIVALENCES FOR LED

	V LAMP	
	STANDARD	LED
W2W		14650
W3W	14687	14650
W5W	14676	14650
WY5W	14688	14649
W21W	L833	14652
WY21W	L836	14651
R5W		14647
R10W	15056	14647
P21W		14647
BX8,5d (1,2W)		14658
BX8,5d (1,5W)		14658
BX8,5d (2W)		14658
B8,5d (1,2W)		14658
B8,5d (1,5W)		14658
B8,5d (2W)		14658
BX8,4d (1,12W)		14659
BX8,4d (1,2W)		14659
BX8,4d (1,3W)		14659
BX8,4d (1,5W)		14659
BX8,4d (2W)		14659
BX8,4d (2,3W)		14659



### Leds today are increasingly used in the two wheels world.

*LED: Light Emitting Diode. Nowadays, LED technology is becoming widely spread in vehicle lighting system. In order to raise the standard for the future growth of the market, there have been developed specific LED systems for motorbikes. This opens up new possibilities for manufacturers on the lighting design, reducing manufacturing costs and increasing the service life of the lamp. There are many advantages: real white light, powerful stylized, reduced energy consumption and maximum service life. The most important aspect is that filaments used in conventional bulbs are excluded in LEDS, as a result they will never break down despite the constantly vibrations due to motorbike engine and the bad road conditions. In this catalogue you will find 7 different LED models which equal to 13 standard bulb models.*

## PACKAGING. THE IDEAL PRESENTATION OF THE PRODUCT

### PACK FORMAT: Box of 1 unit and box of 10 units.

This is the most common and useful package used to keep and serve more than 90% of parts shown in catalogue. For large bulbs such as used in Headlight (H1 H4, H7...) are keep and serve in box of 1 unit to guarantee their best protection. For small bulbs such as used in indicators and auxiliary lighting (W5W, R10W...) keep and serve in box of 10 indivisible units.

