

GOLD fren®



**Brake Calipers
2016**

Discs Brake Pads

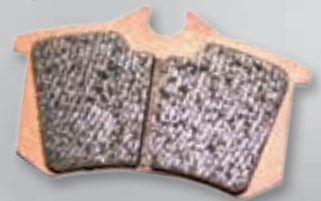
Brake pads for motorcycles



Brake pads for industry



Brake pads, calipers and complete brakes for aircrafts



Brake pads for cars



Brake pads for MTB





1
STREET

1

Radial CNC Monoblock Caliper CP 005 left Part No. 70-03-CP005SL-301

Accessories for GF monoblock caliper

Bleeding screw / Odvzdušňovací šroub
90-15-5016

Bleeding screw cover / Čepička odvzd. šroubu
90-50011

Pin / Kolík
90-15-5028

Cotter / Závlačka
90-15-5029

Sealing under cap / Těsnění pod víčko \varnothing 36 mm
90-50014

Sealing under cap / Těsnění pod víčko \varnothing 32 mm
90-50015

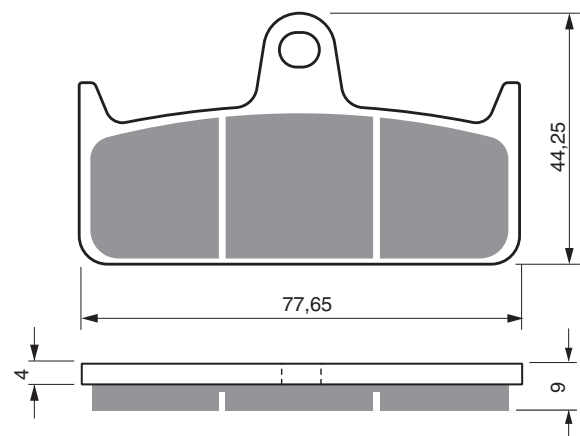
O-ring for pistons / O-kroužek \varnothing 36 mm
90-500016

O-ring for pistons / O-kroužek \varnothing 32 mm
90-500017



Technical Characteristics

Pistons \varnothing	2 x \varnothing 32 mm, 2 x \varnothing 36 mm
Construction	Material CNC Aluminium
Finishing	Colour Anodizing
Weight (without pads)	700 g
Brake Fluid	DOT.4
Hardware	Steel
Pistons	Stainless steel
Brake pads	Type 301
Center to Center	108 mm
Offset	22,5 mm



1

Radial CNC Monoblock Caliper CP 005 right Part No. 70-03-CP005SR-301

Accessories for GF monoblock caliper

Bleeding screw / Odvzdušňovací šroub
90-15-5016

Bleeding screw cover / Čepička odvzd. šroubu
90-50011

Pin / Kolík
90-15-5028

Cotter / Závlačka
90-15-5029

Sealing under cap / Těsnění pod víčko ø 36 mm
90-50014

Sealing under cap / Těsnění pod víčko ø 32 mm
90-50015

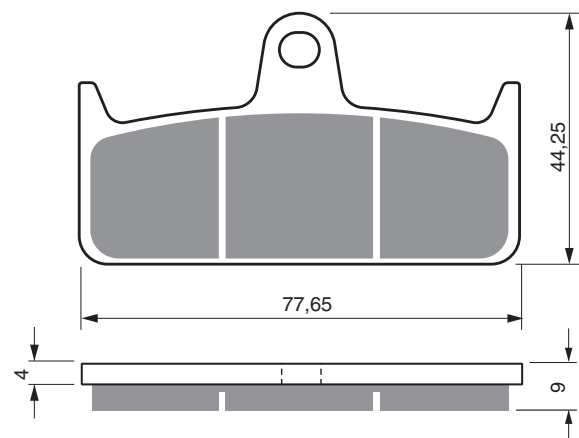
O-ring for pistons ø 36 mm/ O-kroužek ø 36 mm
90-500016

O-ring for pistons ø 32 mm/ O-kroužek ø 32 mm
90-500017



Technical Characteristics

Pistons ø	2 x ø 32 mm, 2 x ø 36 mm
Construction	Material CNC Aluminium
Finishing	Colour Anodizing
Weight (without pads)	700 g
Brake Fluid	DOT.4
Hardware	Steel
Pistons	Stainless steel
Brake pads	Type 301
Center to Center	108 mm
Offset	22,5 mm



1

Radial CNC Monoblock Caliper CP 005 left Racing Edition (with titanium pistons) Part No. 70-03-CP005SL-301 TI

Accessories for GF monoblock caliper

Bleeding screw / Odvzdušňovací šroub
90-15-5016

Bleeding screw cover / Čepička odvzd. šroubu
90-50011

Pin / Kolík
90-15-5028

Cotter / Závlačka
90-15-5029

Sealing under cap / Těsnění pod víčko ø 36 mm
90-50014

Sealing under cap / Těsnění pod víčko ø 32 mm
90-50015

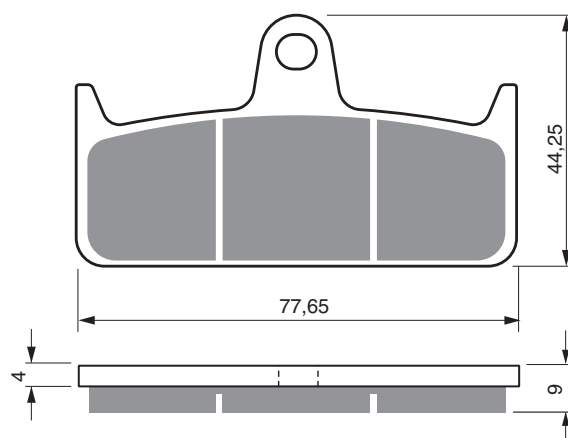
O-ring for pistons / O-kroužek ø 36 mm
90-500016

O-ring for pistons / O-kroužek ø 32 mm
90-500017



Technical Characteristics

Pistons ø	2 x ø 32 mm, 2 x ø 36 mm
Construction Material	CNC Aluminium
Finishing	Hard Anodizing
Weight	(without pads) 700 g
Brake Fluid	DOT.4
Hardware	Steel
Pistons	Titanium
Brake pads	Type 301
Center to Center	108 mm
Offset	22,5 mm



1

Radial CNC Monoblock Caliper CP 005 right Racing Edition (with titanium pistons) Part No. 70-03-CP005SR-301 TI

Accessories for GF monoblock caliper

Bleeding screw / Odvzdušňovací šroub
90-15-5016

Bleeding screw cover / Čepička odvzd. šroubu
90-50011

Pin / Kolík
90-15-5028

Cotter / Závlačka
90-15-5029

Sealing under cap / Těsnění pod víčko ø 36 mm
90-50014

Sealing under cap / Těsnění pod víčko ø 32 mm
90-50015

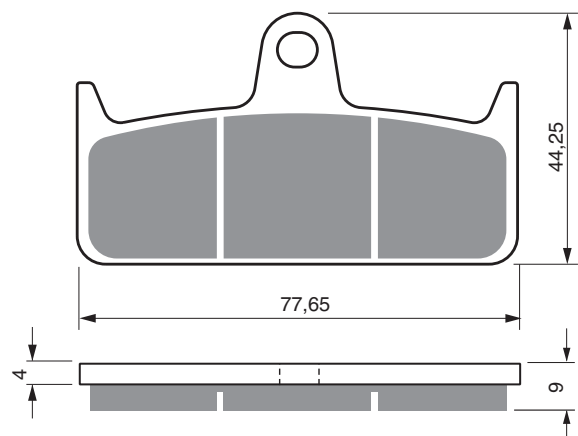
O-ring for pistons ø 36 mm/ O-kroužek ø 36 mm
90-500016

O-ring for pistons ø 32 mm/ O-kroužek ø 32 mm
90-500017



Technical Characteristics

Pistons ø	2 x ø 32 mm, 2 x ø 36 mm
Construction Material	CNC Aluminium
Finishing	Hard Anodizing
Weight (without pads)	700 g
Brake Fluid	DOT.4
Hardware	Steel
Pistons	Titanium
Brake pads	Type 301
Center to Center	108 mm
Offset	22,5 mm



51



2

SUPERMOTO

2

Monoblock Caliper CP 005 Supermotard Part No. 70-03-CP005-301

Accessories for GF monoblock caliper

Bleeding screw / Odvzdušňovací šroub
90-15-5016

Bleeding screw cover / Čepička odvzd. šroubu
90-50011

Pin / Kolík
90-15-5028

Cotter / Závlačka
90-15-5029

Sealing under cap / Těsnění pod víčko \varnothing 36 mm
90-50014

Sealing under cap / Těsnění pod víčko \varnothing 32 mm
90-50015

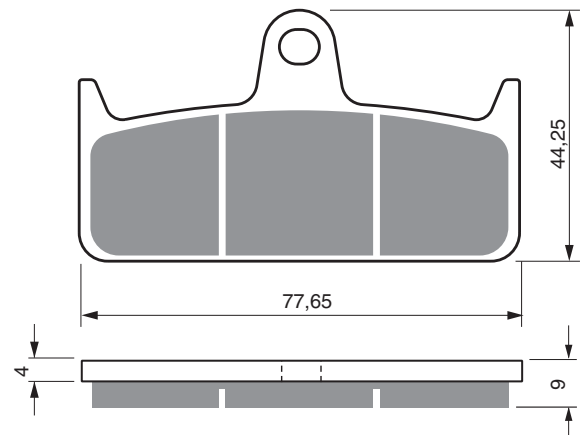
O-ring for pistons / O-kroužek pro pístek \varnothing 36 mm
90-500016

O-ring for pistons / O-kroužek pro pístek \varnothing 32 mm
90-500017



Technical Characteristics

Pistons \varnothing	2 x \varnothing 32 mm, 2 x \varnothing 36 mm
Construction Material	CNC Aluminium
Finishing	Colour Anodizing
Weight (without pads)	650 g
Brake Fluid	DOT 4
Hardware	Steel
Pistons	Stainless steel
Brake pads	Type 301
Center to Center	108 mm
Offset	22,5 mm



2

Monoblock Caliper CP 005 Supermotard Racing Edition (with titanium pistons) Part No. 70-03-CP005-301 TI

Accessories for GF monoblock caliper

Bleeding screw / Odvzdušňovací šroub
90-15-5016

Bleeding screw cover / Čepička odvzd. šroubu
90-50011

Pin / Kolík
90-15-5028

Cotter / Závlačka
90-15-5029

Sealing under cap / Těsnění pod víčko \varnothing 36 mm
90-50014

Sealing under cap / Těsnění pod víčko \varnothing 32 mm
90-50015

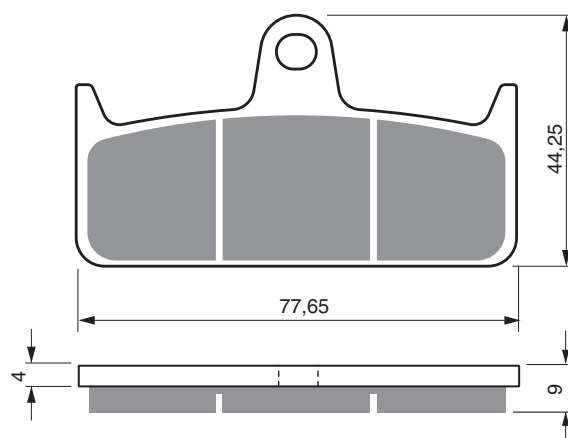
O-ring for pistons \varnothing 36 mm/ O-kroužek \varnothing 36 mm
90-500016

O-ring for pistons \varnothing 32 mm/ O-kroužek \varnothing 32 mm
90-500017



Technical Characteristics

Pistons \varnothing	2 x \varnothing 32 mm, 2 x \varnothing 36 mm
Construction Material	CNC Aluminium
Finishing	Hard Anodizing
Weight (without pads)	650 g
Brake Fluid	DOT.4
Hardware	Steel
Pistons	Titanium
Brake pads Type	301
Center to Center	108 mm
Offset	22,5 mm





3

OFF ROAD

3

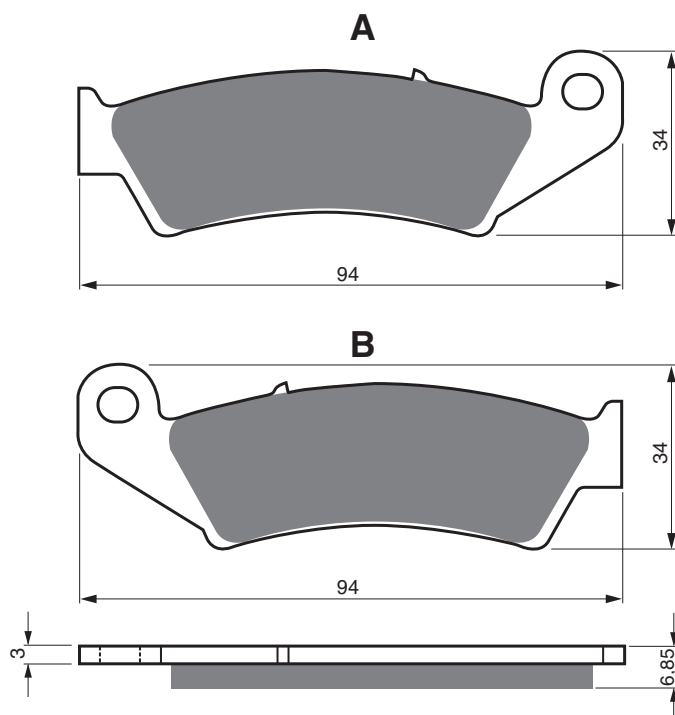
Off road
Front caliper left
CP 006
Part No. 70-03-CP006L-041

Accessories for GF caliper

Spring / Pérko	90-15-5023
Screw for fitting of spring/Šroub k uchycení pérka	90-15-5024
Bleeding screw / Odvzdušňovací šroub	90-15-5016
Bleeding screw cover / Čepička odvzd. šroubu	90-50011
Duster - long / Prachovka - slepá	90-50001
Duster - small / Prachovka - průchozí	90-50003
Screws / Šrouby k uchycení víčka	90-15-5025
Screw / Šroub	90-15-5026
Pin / Čep	90-15-5027
Dustseal / Prachovka ø 27 mm	90-50012
O-ring for piston / O-kroužek pro pístek ø 27 mm	90-50013

Technical Characteristics

Pistons ø	26,85 mm
Construction Material	CNC Aluminium
Finishing	Colour Anodizing
Weight (without pads)	453 g
Brake Fluid	DOT.4
Hardware	Steel
Pistons	Stainless steel
Brake pads	Type 041



3

Off road

Front caliper left

CP 006 Racing Edition (with titanium pistons)

Part No. 70-03-CP006L-041TI

Accessories for GF caliper

Spring / Pérko

90-15-5023

Screw for fitting of spring/Šroub k uchycení pérka

90-15-5024

Bleeding screw / Odvzdušňovací šroub

90-15-5016

Bleeding screw cover / Čepička odvzd. šroubu

90-50011

Duster - long / Prachovka - slepá

90-50001

Duster - small / Prachovka - průchozí

90-50003

Screws / Šrouby k uchycení víčka

90-15-5025

Screw / Šroub

90-15-5026

Pin / Čep

90-15-5027

Dustseal / Prachovka ø 27 mm

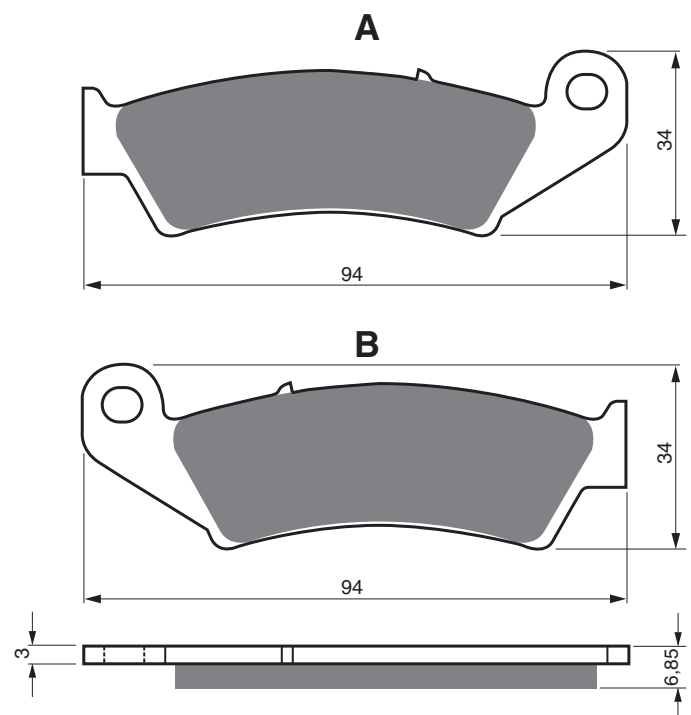
90-50012

O-ring for piston/ O-kroužek pro pístek ø 27 mm

90-50013

Technical Characteristics

Pistons ø	26,85 mm
Construction Material	CNC Aluminium
Finishing	Colour Anodizing
Weight (without pads)	453 g
Brake Fluid	DOT.4
Hardware	Steel
Pistons	Titanium
Brake pads	Type 041



3

**Off road
Front caliper right
CP 006
Part No. 70-03-CP006R-041**

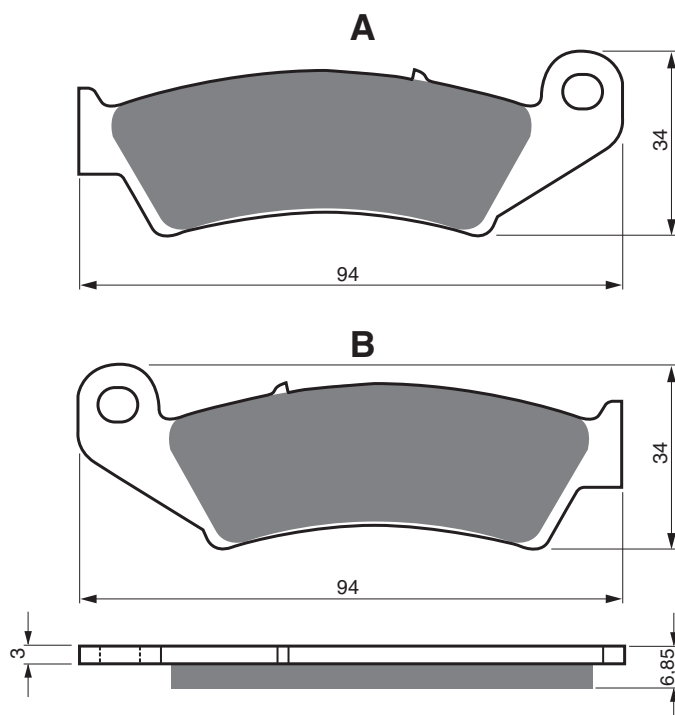
Accessories for GF caliper

Spring / Pérko	90-15-5023
Screw for fitting of spring/Šroub k uchycení pérka	90-15-5024
Bleeding screw / Odvzdušňovací šroub	90-15-5016
Bleeding screw cover / Čepička odvzd. šroubu	90-50011
Duster - long / Prachovka - slepá	90-50001
Duster - small / Prachovka - průchozí	90-50003
Screws / Šrouby k uchycení víčka	90-15-5025
Screw / Šroub	90-15-5026
Pin / Čep	90-15-5027
Dustseal / Prachovka ø 27 mm	90-50012
O-ring for piston/O-kroužek k pístku ø 27 mm	90-50013



Technical Characteristics

Pistons	ø 26,85 mm
Construction Material	CNC Aluminium
Finishing	Colour Anodizing
Weight (without pads)	453 g
Brake Fluid	DOT.4
Hardware	Steel
Pistons	Stainless steel
Brake pads	Type 041



3

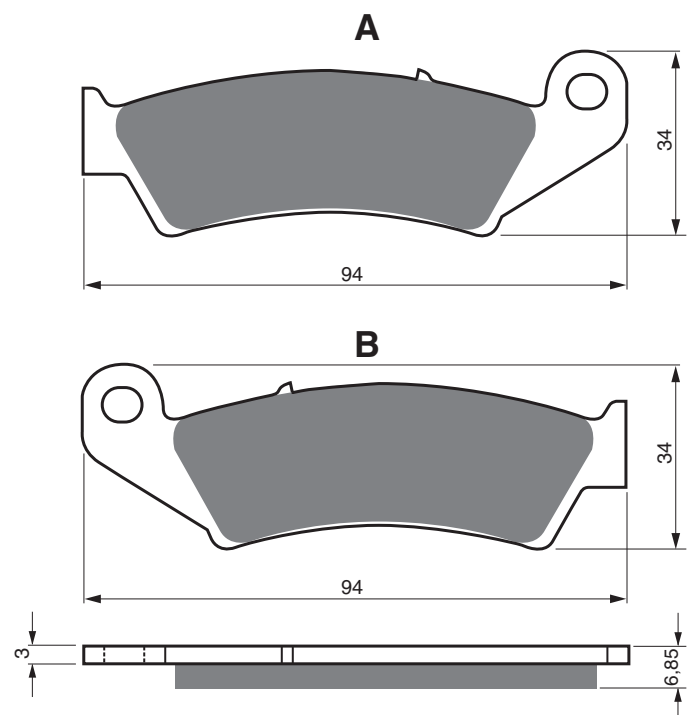
Off road Front caliper right CP 006 Racing Edition (with titanium pistons) Part No. 70-03-CP006R-041 TI

Accessories for GF caliper

Spring / Pérko 90-15-5023
Screw for fitting of spring/Šroub k uchycení pérka 90-15-5024
Bleeding screw / Odvzdušňovací šroub 90-15-5016
Bleeding screw cover / Čepička odvzd. šroubu 90-50011
Duster - long / Prachovka - slepá 90-50001
Duster - small / Prachovka - průchozí 90-50003
Screws / Šrouby k uchycení víčka 90-15-5025
Screw / Šroub 90-15-5026
Pin / Čep 90-15-5027
Dustseal / Prachovka ø 27 mm 90-50012
O-ring for piston /O-kroužek pro pístek ø 27 mm 90-50013

Technical Characteristics

Pistons	ø 26,85 mm
Construction Material	CNC Aluminium
Finishing	Hard Anodizing
Weight (without pads)	453 g
Brake Fluid	DOT.4
Hardware	Steel
Pistons	Titanium
Brake pads	Type 041



3

Off road
Rear caliper right
CP 004
Part No. 70-03-CP004R-187

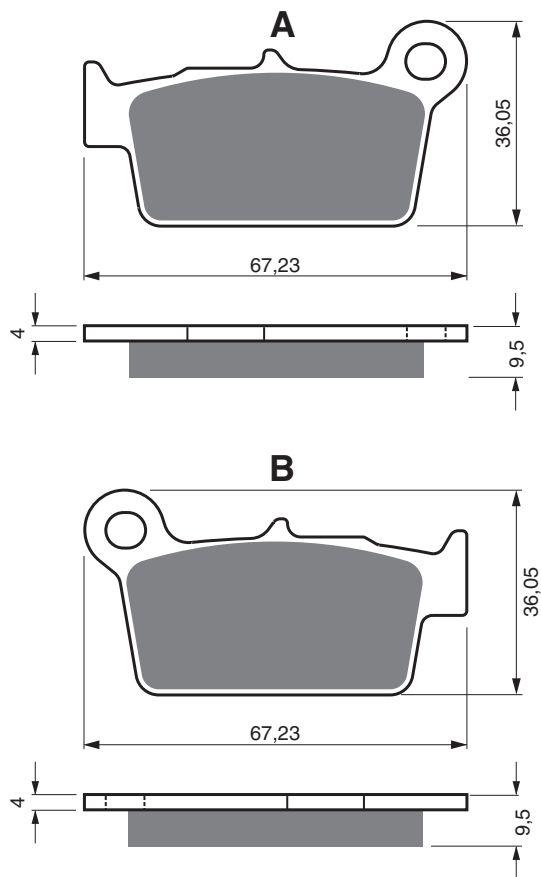
Accessories for GF caliper

Spring / Pérko	90-15-5022
Bleeding screw / Odvzdušňovací šroub	90-15-5016
Bleeding screw cover / Čepička odvzd. šroubu	90-50011
Duster - long / Prachovka - slepá	90-50001
Duster - small / Prachovka - průchozí	90-50003
Screw / Šroub	90-15-5015
Screw / Šroub	90-15-5013
Pin / Čep	90-15-5017
Dustseal / Prachovka	90-50010
O-ring for piston / O-kroužek pro pístek ø 25 mm	90-50004



Technical Characteristics

Pistons ø	25,3 mm
Construction Material	CNC Aluminium
Finishing	Colour Anodizing
Weight (without pads)	450 g
Brake Fluid	DOT.4
Hardware	Steel
Pistons	Stainless steel
Brake pads	Type 187



3

Off road

Rear caliper right

CP 004 Racing Edition (with titanium pistons)

Part No. 70-03-CP004R-187TI

Accessories for GF caliper

Spring / Pérko
90-15-5022

Bleeding screw / Odvzdušňovací šroub
90-15-5016

Bleeding screw cover / Čepička odvzd. šroubu
90-50011

Duster - long / Prachovka - slepá
90-50001

Duster - small / Prachovka - průchozí
90-50003

Screw / Šroub
90-15-5015

Screw / Šroub
90-15-5013

Pin / Čep
90-15-5017

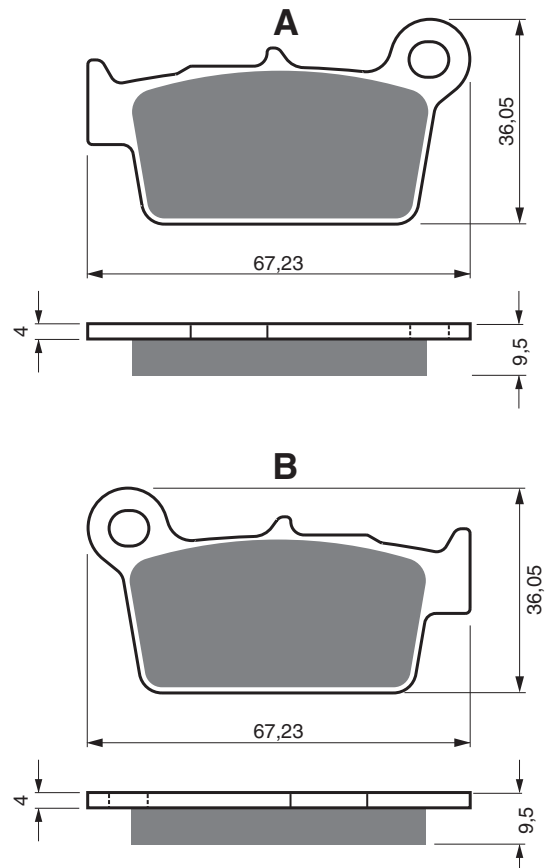
Dustseal / Prachovka
90-50010

O-ring for piston / O-kroužek pro pístek \varnothing 25 mm
90-50004



Technical Characteristics

Pistons \varnothing	25,3 mm
Construction Material	CNC Aluminium
Finishing	Hard Anodizing
Weight (without pads)	450 g
Brake Fluid	DOT.4
Hardware	Steel
Pistons & cover	Titanium
Brake pads	Type 187



3

**Off road
Rear caliper left
CP 004
Part No. 70-03-CP004L-187**

Accessories for GF caliper

Spring / Pérko
90-15-5022

Bleeding screw / Odvzdušňovací šroub
90-15-5016

Bleeding screw cover / Čepička odvzd. šroubu
90-50011

Duster - long / Prachovka - slepá
90-50001

Duster - small / Prachovka - průchozí
90-50003

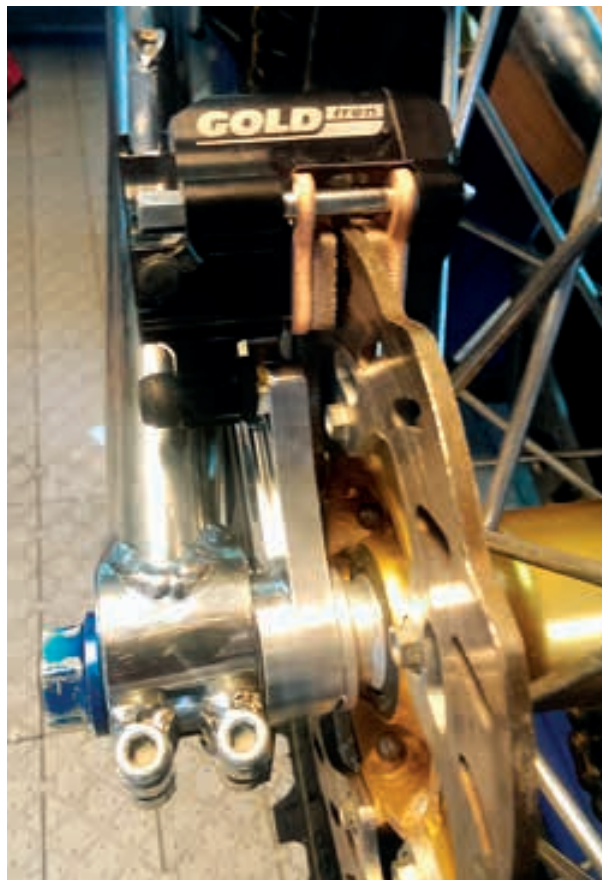
Screw / Šroub
90-15-5015

Screw / Šroub
90-15-5013

Pin / Čep
90-15-5017

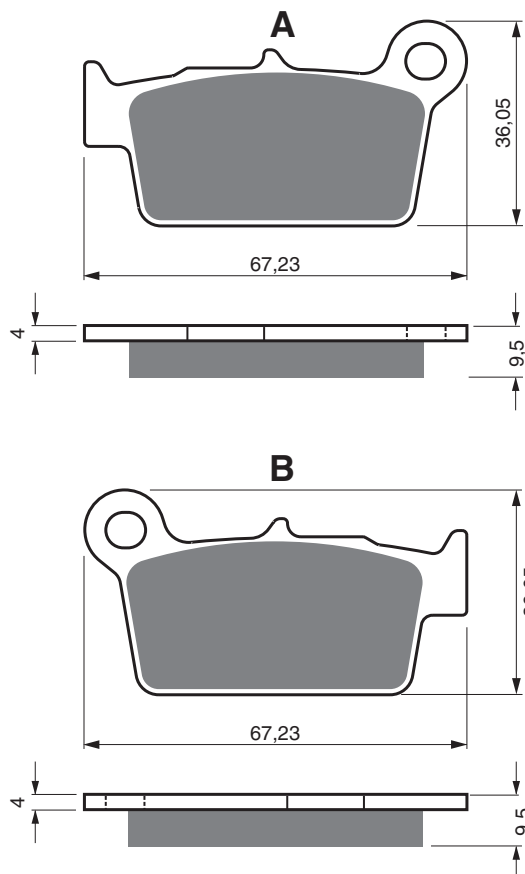
Dustseal / Prachovka
90-50010

O-ring for piston / O-kroužek pro pístek \varnothing 25 mm
90-50004



Technical Characteristics

Pistons \varnothing	25,3 mm
Construction Material	CNC Aluminium
Finishing Colour	Anodizing
Weight (without pads)	450 g
Brake Fluid	DOT.4
Hardware	Steel
Pistons	Stainless steel
Brake pads	Type 187





4

AIRCRAFT

4

Aircraft UL Caliper CP 008 Part No. 70-03-900

Accessories for GF caliper

Bleeding screw / Odvzdušňovací šroub
M 8 x 1

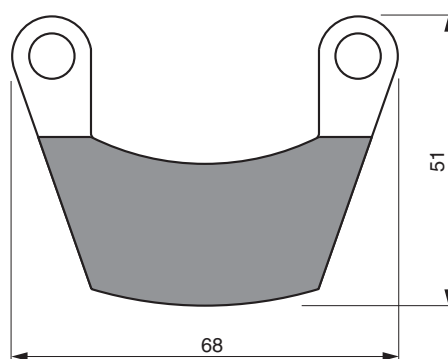
Bleeding screw cover / Čepička odvzd. šroubu
90-50011

O-ring for piston / O-kroužek pro pístek ø 25 mm
90-50004



Technical Characteristics

Pistons ø	25,3 mm
Construction Material	CNC Aluminium
Finishing	Colour Anodizing
Weight (without pads)	453 g
Brake Fluid	DOT.4
Max. pressure	60 bar / 870 psi
Hardware	Steel
Pistons	Stainless steel
Brake pads	Type 900



4

Aircraft UL Caliper CP 007 for GOLDfren wheels Part No. 70-03-915

Accessories for GF caliper

Bleeding screw / Odvzdušňovací šroub
M 8 x 1

Bleeding screw cover / Čepička odvzd. šroubu
90-50011

O-ring for piston / O-kroužek pro pístek ø 25 mm
2 x 90-50004

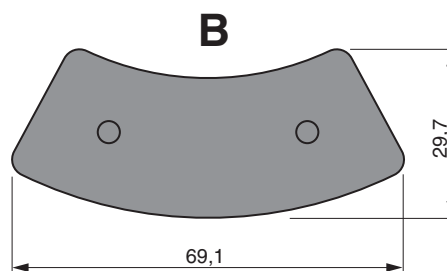
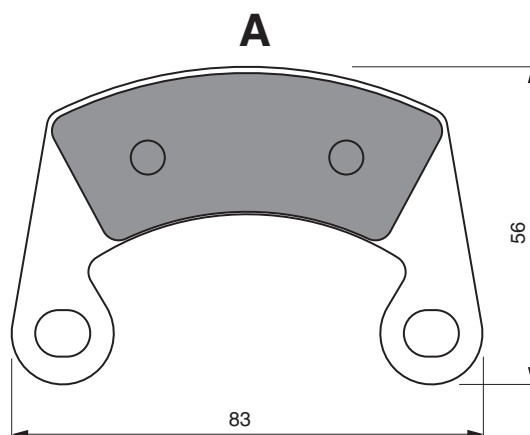
Screw / Šroub
M 8 x 35

Pin/ Čep-kolík
2 x 90-15-5030



Technical Characteristics

Pistons ø	2 x 25,3 mm
Construction Material	CNC Aluminium
Finishing	Colour Anodizing
Brake Fluid	DOT.4
Max.pressure	65 bar / 942 psi
Hardware	Steel
Pistons	Stainless steel
Brake pads	Type 915



4

Aircraft UL Caliper CP 009 Part No. 70-03-CP009

Accessories for GF caliper

Bleeding screw / Odvzdušňovací šroub
M 8 x 1

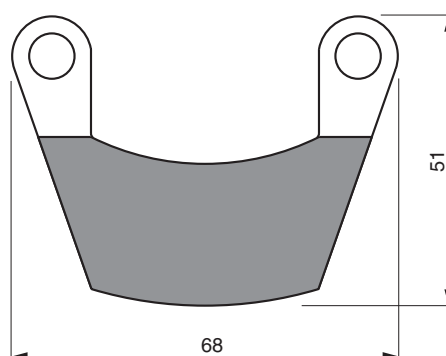
Bleeding screw cover / Čepička odvzd. šroubu
90-50011

O-ring for piston / O-kroužek pro pístek ø 25 mm
90-50004



Technical Characteristics

Pistons ø	25,3 mm
Construction Material	CNC Aluminium
Finishing	Colour Anodizing
Weight (without pads)	175 g
Brake Fluid	DOT.4
Max. pressure	60 bar / 870 psi
Hardware	Steel
Pistons	Stainless steel
Brake pads	Type 900



4

Aircraft Caliper CP 010

Part No. 70-03-CP010

Accessories for GF caliper

Bleeding screw with shim incl. screw cover /
Odvzdušňovací šroub s vložkou vč. čepičky
NPT 1/8

O-ring for piston / O-kroužek na pístek
2x $\varnothing 38 \times 3,6$ material NBR

Screws for the caliper's cup fitment/ Šrouby pro
připevnění víček třmenu

4 x AN4H-21A

Brake caliper's cup/ Víčka třmenu
2 x 909-919

Guide bolts + self-clinching nut / Vodicí kolíky +
samozajímavací matice

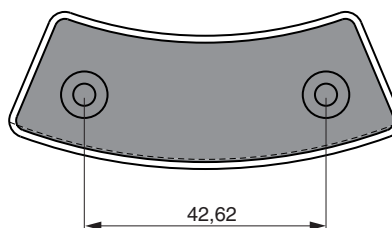
2 x CL.C ZIPL HEX LOCKNUT/ INS UNF



McCauley replica

Technical Characteristics

Pistons \varnothing	2 x 44,3 mm
Construction Material	CNC Aluminium
Finishing	Hard Anodizing
Weight (without pads)	750 g
Brake Fluid	DOT.4
Max. pressure	
Hardware	Steel
Pistons	Stainless steel
Brake pads	Type 919 (P/N. 066-06200)



4

Aircraft Caliper CP 011

Part No. 70-03-CP011

Accessories for GF caliper

Bleeding screw with stainless steel shim incl.
screw cover/ Odvzdušňovací šroub
NPT 1/8

O-ring for piston / O-kroužek na pístek
1x \varnothing 44,04 x 3,53 material NBR

Screws for the caliper's cup fitment / Šrouby pro
připevnění víček třmenu

2 x AN4H-17A

Brake caliper's nut/ Víčko třmenu
1 x 909-919

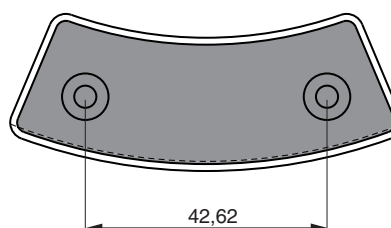
Guide bolts + self-clinching nut /Vodící kolíky +
samozajímavací matice

2 x CL.6 ZIPL HEX LOCKNUT/ INS UNF



Technical Characteristics

Pistons \varnothing	50,7 mm
Construction Material	CNC Aluminium
Finishing	Hard Anodizing
Weight (without pads)	500 g
Brake Fluid	DOT.4
Max. pressure	
Hardware	Steel
Pistons	Stainless steel
Brake pads	Type 919 (P/N. 066-06200)





5 BRAKE ADAPTERS

LIST OF OVERSIZE FRONT DISCS WITH ADAPTER

MODEL OF MOTORCYCLE	Ø of disc	Fixed oversize disc	Floating disc	Adapter	Style
HONDA CR 125-250-500, 95-03 / CRF 450, 2002 - 2003	260 mm	7101 F	7152 F	4002 CA	cross
HONDA CR 125-250, 04 - / CRF 250-450, 04 -	260 mm	7101 F	7152 F	4015 CA	cross
HONDA CR 125-250-500, 95 - 03 / CRF 450, 2002-2003	270 mm	7105 F	7153 F	4011 CA	cross
HONDA CR 125-250, 04 - / CRF 250-450 04-2014	270 mm	7105 F	7153 F	4023 CA	cross
HONDA CR 125-250, 04 - / CRF 250-450 2015-	270 mm	7105 F	7153 F	4101 CA	cross
HONDA 80 ccm, CRF 150, 2007 -	240 mm	7102 F	7154 F	4007 CA	cross
KAWASAKI KX 125-250-500, - 05	266,5 mm	7201 F	7255 F	4010 CA	cross
KAWASAKI KX 125-250-450 F, 06 -	266,5 mm		7258 F	4010 CA	cross
KAWASAKI 85 ccm	240 mm	7202 F	7252 F	4012 CA	cross
KTM - 2008 // HUSABERG -2012	270 mm	7501 F	7554 F	4009 CA	cross
KTM SX,EXC 125-250-300-350-450-500, 2009- // HUSABERG -2013 // HUSQVARNA TC, TE, FC,FE 125-450 2014-	270 mm	7501 F	7554 F	4031 CA	cross
KTM standard size - 2008 // HUSABERG -2012	260 mm	1501 F	7551 F	4026 CA	cross
KTM standard size, GF caliper SX,EXC 125-250-300-350-450-500, 2009- // HUSABERG -2013 // HUSQVARNA TC, TE, FC,FE 125-450 2014-	260 mm	1501 F	7551 F	4068 CA - for GF caliper CP006	cross
KTM standard size SX,EXC 125-250-300-350-450-500, 2009- // HUSABERG -2013 // HUSQVARNA TC, TE, FC,FE 125-450 2014-	260 mm	1501 F	7551 F	4033 CA	cross
KTM 85 ccm 2003 - 2011	260 mm		7555 F	4030 CA	cross
KTM 85 ccm 2012 with spacer 20 mm	260 mm		7555 F	4030-20SP	cross
KTM 85 ccm 2012 with spacer 10 mm	240 mm		7556 F	4030-10SP	cross
SUZUKI RM 125-250	264 mm	7401 F	7451 F	4010 CA	cross
SUZUKI RMZ 450, 05-//RMZ 250, 07-	270 mm	7404 F	7452 F	4018 CA	cross
SUZUKI RMZ 250, 2004 - 2006	266 mm	7201 F	7255 F	4010 CA	cross
SUZUKI 85 ccm - 2004	220 mm	7403 F		4012 CA	cross
SUZUKI 85 ccm 2005 -	230 mm	7402 F		4075 CA	cross
SUZUKI 85 ccm 2005 -	240 mm	7302 F	7454 F	4012 CA	cross
YAMAHA YZ 125-250-500 / 250 F- 2006 // YZ 450 F -2007	260 mm	7301 F	7352 F	4001 CA	cross
YAMAHA YZ 125-250 F - 2006 // YZ 450 F -2007// WR -2009	270 mm	7305 F	7354 F	4014 CA	cross
YAMAHA YZ 125,250 2008- a YZ 250F 2007-//YZ 450F 2008 -	270 mm	7305 F	7354 F	4024 CA	cross
YAMAHA 85 ccm	240 mm	7302 F	7454 F	4013 CA	cross



LIST OF OVERSIZE REAR DISCS WITH ADAPTER FOR ORIGINAL BRAKE CALIPER

MODEL OF MOTORCYCLE	Ø of disc	Fixed oversize disc	Adapter	Caliper	Brake disc protector	Style
KTM SX,EXC 125-250-450-525, 1999-2012, Husaberg 99-2012	Ø 240 mm	7501 R	4021 CA	Original caliper	KR 4021	cross
KTM SX,EXC 125-250-300-350-450-500, 2013-	Ø 240 mm	7501 R	4052 CA	Original caliper	KR 4021	cross
KTM SX 65, 2004-	Ø 200 mm	7509 R	4054 CA	Original caliper		cross
KAWASAKI KX 125-250-450, 2006-	Standard Ø 240 mm	Standard ø 1215 R	4053 CA	Original caliper (for GOLDfren caliper too)	KR 203	cross
KAWASAKI KX 85 ccm 2004-07	Ø 205 mm	7204 R	4022 CA	Original caliper		cross
JAWA 650 Classic			4061 CA	Original caliper		street

LIST OF REAR BRAKE DISCS WITH ADAPTER FOR GOLDFREN REAR CALIPER

MODEL - TYP OF MOTORCYCLE	Ø of discs	Disc	Adapter	GOLDFREN caliper	Brake disc protector	Style
KAWASAKI KX 125-250-450 F, 2003-	Standard Ø 240 mm	1215 R	No needed	No. 70-03-187 CP 004	KR 201	cross
KAWASAKI KX 125-250-450 F, 2003-	Standard Ø 240 mm	1215 R	4053 CA	No. 70-03-187 CP 004 (or for original caliper too)	KR 203	cross
KAWASAKI KX 125-250-450 F, 2003-	Oversize Ø 250 mm	7206 R	4201 CA	No. 70-03-187 CP 004	KR 203	cross
SUZUKI RMZ 250 2007- //RMZ 450, 2005-	Standard Ø 240 mm	1402 R	No needed	No. 70-03-187 CP 004	KR 401	cross
SUZUKI RM 85 ccm, 2005 -	Oversize Ø 220 mm	7403 R	4043 CA	No. 70-03-187 CP 004	KR 402	cross
HONDA CR,CR-F,125-250-450, 2003-	Standard Ø 240 mm	1103 R	4029 CA	No. 70-03-187 CP 004	KR 102	cross
HONDA CR,CR-F,125-250-450, 2003-	Oversize Ø 254 mm	7153 R	4046 CA	No. 70-03-187 CP 004	KR 102	cross
KTM SX,EXC 125-250-450-525, 1999-2012, Husaberg 2009-2012	Oversize Ø 240 mm	7501 R	4028 CA	No. 70-03-187 CP 004	KR 4021	cross
KTM SX,EXC 125-250-300-350-450-500, 2013- Husaberg 2013 HUSQVARNA TE/TC 125,250,300 2014- WR/CR 250, 450 2005-2014-	Oversize Ø 240 mm	7501 R	4051 CA	No. 70-03-187 CP 004	KR 4021	cross
KTM SX 85 ccm, 2003-	Oversize Ø 220 mm	7503 R	4038 CA	No. 70-03-187 CP 004	KR 501	cross
YAMAHA YZ,YZ-F,125-250-450, 2009-	Standard Ø 245 mm	1303 R	4032CA	No. 70-03-187 CP 004	KR 302	cross
YAMAHA YZ 85 ccm	Oversize Ø 220 mm	7403 R	4067 CA	No. 70-03-187 CP 004	KR402	cross
HUSQVARNA TE/TC 250-450-510, 2005-2013 WR/CR 125-250 2005-2013	Standard Ø 240 mm	7651 R	4037CA	No. 70-03-187 CP 004	KR 601	cross

REAR FLOATING BRAKE DISCS FOR OFF ROAD

MODEL -TYP OF MOTORCYCLE	Ø of disc	Floating disc	Adapter
HONDA CRF 250, 450 2002- // CR 125, 250 2002-	242 mm	7152 R	-
HONDA CRF 250, 450 2002- // CR 125, 250 2002-	254 mm	7153 R	4046 CA (for GOLDFREN caliper CP004)
KAWASAKI KX, KX-F 125-250-450 2003-	237 mm	7251 R, R-3	-
YAMAHA YZ 250 F, YZ 450 F 2002-	245 mm	7351 R, R-7	-
SUZUKI RM-Z 250 2007- // RM-Z 450 2005-	240 mm	7451 R	-
KTM all models 1991- HUSABERG all models 2000-2013 HUSQVARNA TC, TE, FC,FE 125-450 2014-	245 mm	7551 R	-
KTM SX/EXC 1991- HUSABERG all models 2000-2013 HUSQVARNA TC, TE, FC,FE 125-450 2014-	220 mm	7553 R	-
KTM all models 1991- HUSABERG all models 2000-2013 HUSQVARNA TC, TE, FC,FE 125-450 2014-	238 mm	7554 R	4028 CA (for GOLDFREN caliper CP004)/ 4021 CA (for original caliper)
KTM Adventure 990 2009-	240 mm	7552 R	-

LIST OF SUPERMOTO DISCS AND ADAPTERS

MODEL - TYP OF MOTORCYCLE	With frazing rotor / cut	Ø of disc	Fixed oversize disc	Floating disc	Adapter	Style
HONDA CR 125-250-500,1995-03 / CRF450 02-03	401-101F	320 mm	401-003F	401-201F	4005 CA	supermoto
HONDA XR 400-600-650 1996-03		320 mm		401-202F	4005 CA	supermoto
HONDA CR 125-250,CRF 250-450, 2004-	401-101F	320 mm	401-003F	401-201F	4006 CA	supermoto
HUSABERG all models 1993-99	405-101F	320 mm		405-201F	4063 CA	supermoto
HUSABERG all models 2000-2012	405-101F	320 mm		405-201F	4063-1 CA	supermoto
HUSQVARNA all models 1995-03	406-101F	320 mm		406-201F	4004 CA	supermoto
KTM all models 1999-2008	405-101F	320 mm		405-201F	4063-1 CA	supermoto
KTM 125-200-250-300/LC4 1994-98	405-101F	320 mm		405-201F	4063 CA	supermoto
KAWASAKI / KX 1989 - 2002	402-001F	320 mm		402-201F		supermoto
KAWASAKI / KX -F 2003 - 2005	402-002F	320 mm		402-202F		supermoto
KAWASAKI / KX -F 2006 -		320 mm	Fork end 70-03-503	402-203F		supermoto
KENTOYA Trigger 200	420-002F	300 mm			4020 CA	supermoto
SUZUKI RM 125-250, DR-Z 400	404-001F	320 mm		403-201F	4016 CA	supermoto
SUZUKI RM-Z 250- 450		320 mm		404-206F		supermoto
VOR	409-001F	320 mm		409-201F		supermoto
YAMAHA XT 600 1995-00	403-002F	320 mm			4008 CA	supermoto
YAMAHA YZ-YZF-WRF	404-001F	320 mm		403-201F	4066 CA	supermoto
GAS-GAS	408-001F	320 mm		408-201F		supermoto

LIST OF SUPERMOTO DISCS WITH ADAPTER FOR RADIAL BRAKE CALIPERS GOLDFREN

MODEL OF MOTORCYCLE	Brake caliper	Adapter	Ø of discs	Floating discs	Style
SUZUKI RM-Z 250-450	Caliper GOLDFren CP005 with distance 108 mm	4044 CA	310 mm	404-201 F	supermoto
YAMAHA YZF 250-450	Caliper GOLDFren CP005 with distance 108 mm	4047 CA	310 mm	404-203 F	supermoto
HONDA CRF 250-450	Caliper GOLDFren CP005 with distance 108 mm	4048 CA	310 mm	401-204 F	supermoto
KAWASAKI KXF 250-450	Caliper GOLDFren CP005 with distance 108 mm	4044 CA	310 mm	402-204 F	supermoto
KTM SX/EXC 125-500 /2009- HUSQVARNA TC/FC/TE/FE 125-500 /2014- *	Caliper GOLDFren CP005 with distance 108 mm	4056 CA	310 mm	405-203F	supermoto

* Excel wheel, centred outside the centre!

- for the disc with diameter 310 mm, mount without spacers, with centring bushes only



FRONT AND REAR BRAKE CALIPER FOR OFF-ROAD

GOLDfren calipers are built 100% with CNC technology using the best duralumin quality commonly found in the aircraft industry.



GOLDfren front off-road caliper

To its advantages belong stiffness, 27 mm pistons and improved design of bleeding channel. It is designed as a replacement for stock brake calipers on Japanese motocross bikes. When used on other bikes an adapter must be mounted.

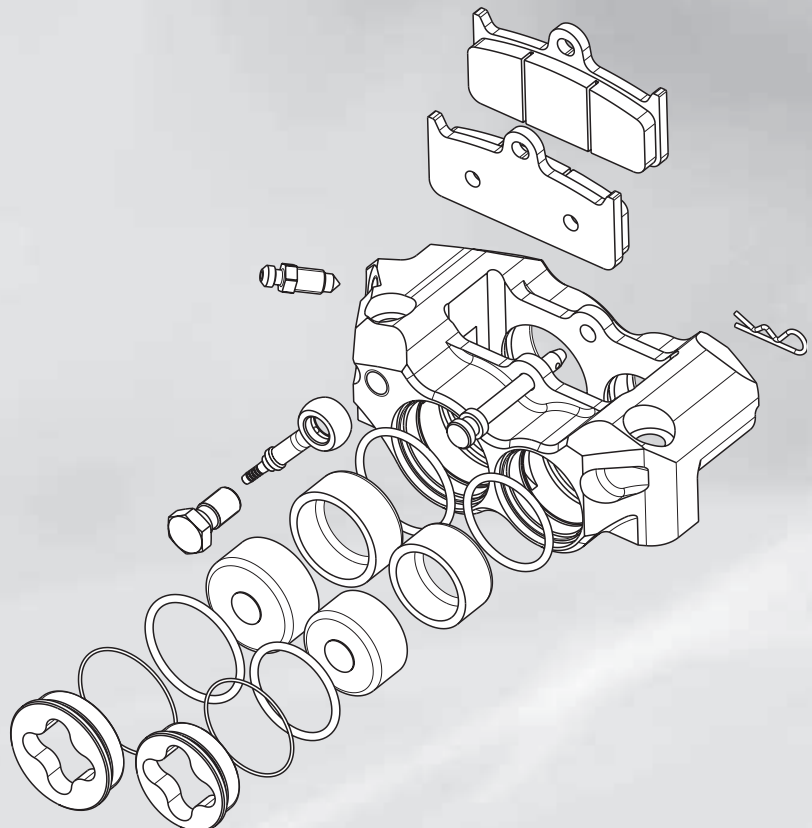
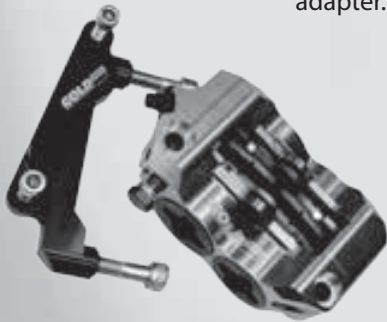


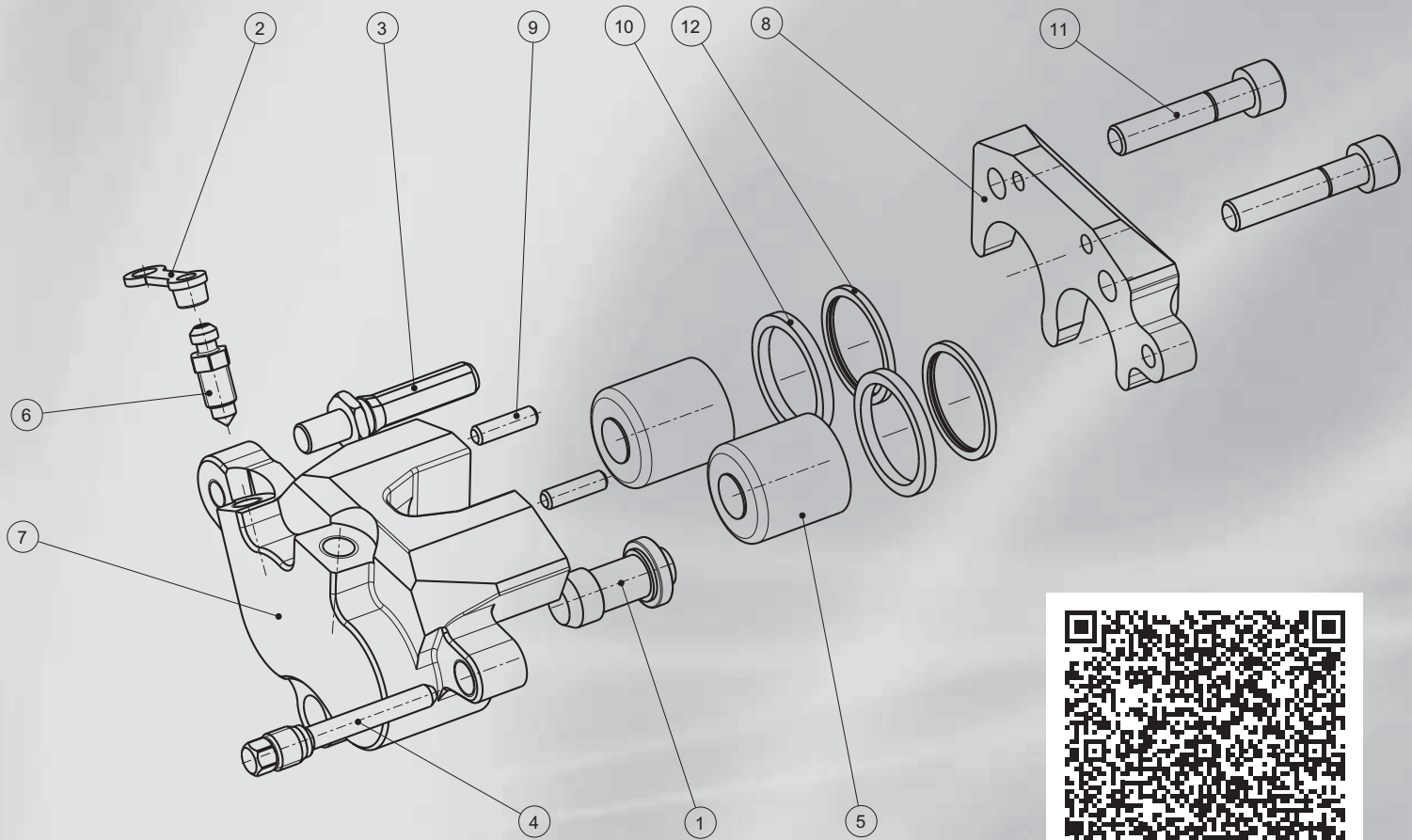
GOLDfren rear off-road caliper can be used without an adapter on Kawasaki and Suzuki (250/450) bikes. On KTM, Husqvarna, Honda and Yamaha an adapter must be mounted. GOLDfren manufactures all these adapters. Piston diameter is 25,3 mm and weight is 450 g.

FRONT RADIAL BRAKE CALIPER

GOLDfren Radial four-piston brake caliper MONOBLOCK

For street race bikes. It is suitable for discs of 270-330 mm in diameter and 5-6 mm in thickness. The piston diameters are 36 mm and 32 mm, distance between screws that hold caliper on the fork is 108 mm, its weight is 800 g. This caliper is standardly made in gold and black color and it is supplied together with brake pads – type 301. This caliper can also be used in supermoto with an adapter.





SPACEK PRODUCT

Poběžovice 29, 534 01 Holice,
Czech Republic
Tel.: +420 466 682 065
Tel.: +420 466 009 452
Fax: +420 466 682 027
E-mail: goldfren@goldfren.com

Distributed by



www.goldfren.com